

Vulcascot Cable Protectors

Product Information



PROFILE: Temporary Traffic Calmer TTC/1

Available in 4.5M lengths

Available in Black

TTCs are two products in one, a traffic speed controller and heavy duty cable protector.

Yellow hazard stripes on both sides of the profile are clearly visible, giving early warning to fork lift truck and lorry drivers of the danger of speed in confined areas.

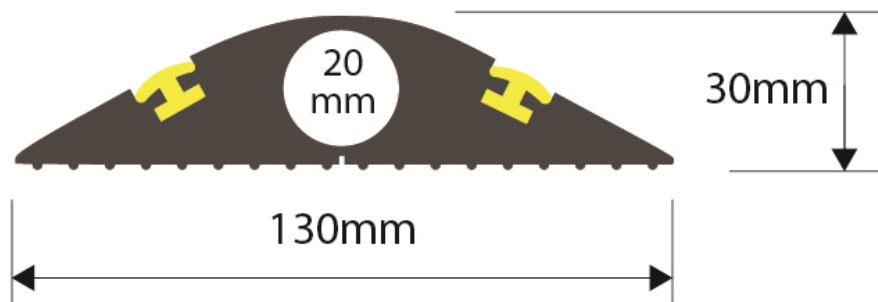
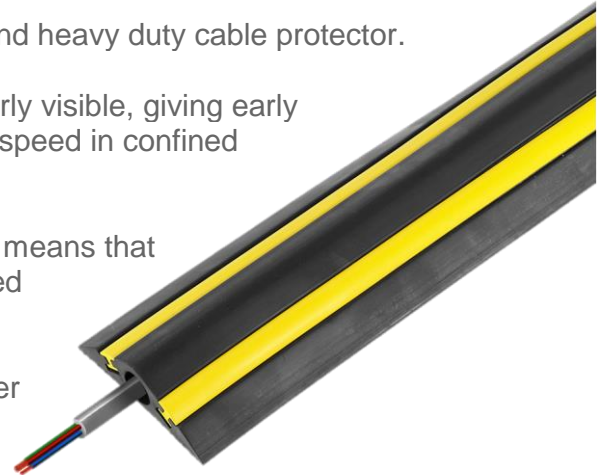
Rugged construction combined with an inherent flexibility means that these strong profiles withstand the passage of most loaded vehicles whilst keeping the cables safe and secure.

These very special products can easily be relaid in another location as required.

Lay flat, no drilling or bolting, ready to use in minutes.

Manufactured in the UK from a mix of natural and synthetic rubbers.

- Fire tested to BS 476 Part 7 Class 3
- Halogen free in the event of fire
- Low smoke, nontoxic and low fume emission levels
- Tested for non-conductivity to BS903-C5, 500V
- UV stabilised for extended outdoor life
- All dimensions are nominal and subject to manufacturing tolerances



Vulcascot Cable Protectors Limited

12 Norman-D-Gate, Bedford Road,
Northampton. NN1 5NT



Tel: 0800 0352842

Intl: +44 (0)1604 212973

Fax: +44 (0)1604 632344

Email: sales@vulcascot.co.uk

Web: www.vulcascot.co.uk

Vulcascot Cable Protectors

Product Information



PROFILE: Temporary Traffic Calmer TTC/2

Available in 4.5M lengths

Available in Black

TTCs are two products in one, a traffic speed controller and heavy duty cable protector.

Yellow hazard stripes on both sides of the profile are clearly visible, giving early warning to fork lift truck and lorry drivers of the danger of speed in confined areas.

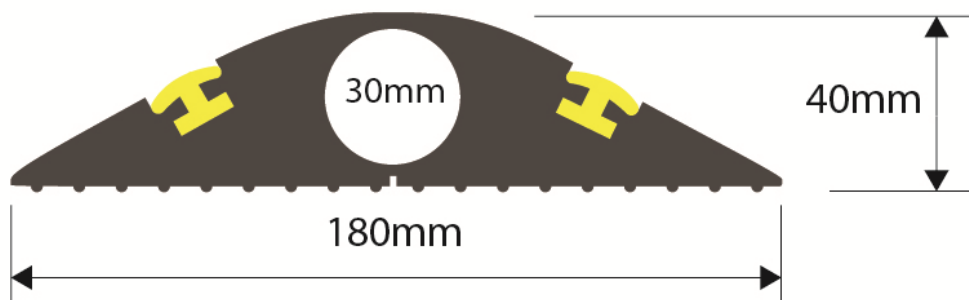
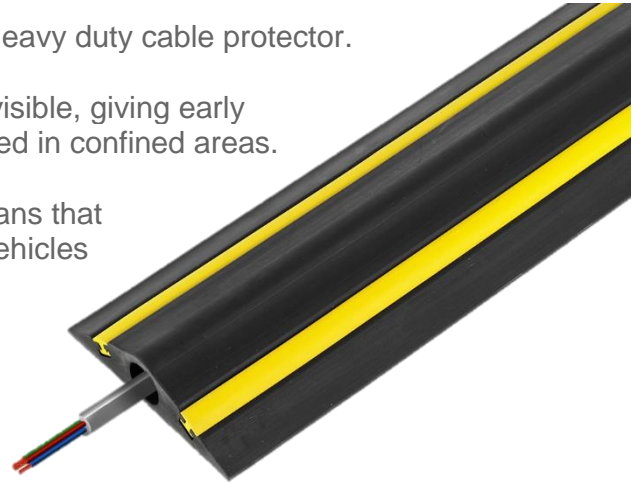
Rugged construction combined with an inherent flexibility means that these strong profiles withstand the passage of most loaded vehicles whilst keeping the cables safe and secure.

These very special products can easily be relaid in another location as required.

Lay flat, no drilling or bolting, ready to use in minutes.

Manufactured in the UK from a mix of natural and synthetic rubbers.

- Fire tested to BS 476 Part 7 Class 3
- Halogen free in the event of fire
- Low smoke, nontoxic and low fume emission levels
- Tested for non-conductivity to BS903-C5, 500V
- UV stabilised for extended outdoor life
- All dimensions are nominal and subject to manufacturing tolerances



Vulcascot Cable Protectors Limited

12 Norman-D-Gate, Bedford Road,
Northampton. NN1 5NT



Tel: 0800 0352842

Intl: +44 (0)1604 212973

Fax: +44 (0)1604 632344

Email: sales@vulcascot.co.uk

Web: www.vulcascot.co.uk

Vulcascot Cable Protectors

Product Information



PROFILE: Temporary Traffic Calmer TTC/3

Available in 1.5M lengths

Available in Black

TTCs are two products in one, a traffic speed controller and heavy duty cable protector.

Yellow hazard stripes on both sides of the profile are clearly visible, giving early warning to fork lift truck and lorry drivers of the danger of speed in confined areas.

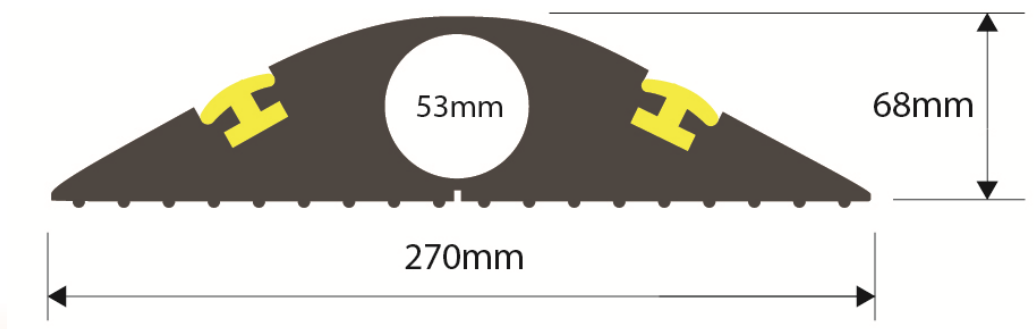
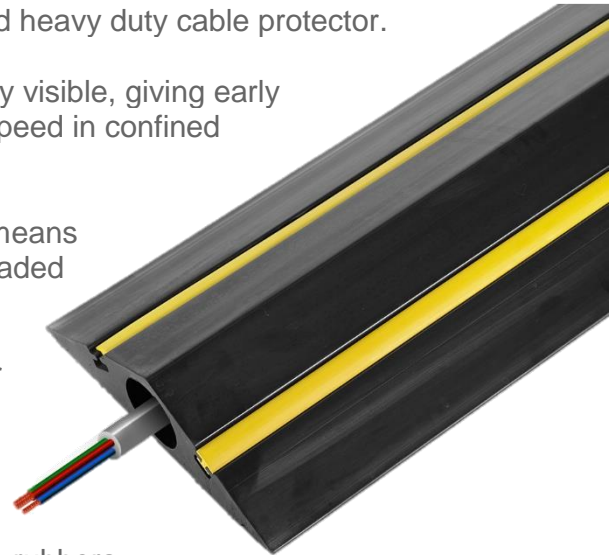
Rugged construction combined with an inherent flexibility means that these strong profiles withstand the passage of most loaded vehicles whilst keeping the cables safe and secure.

These very special products can easily be relaid in another location as required.

Lay flat, no drilling or bolting, ready to use in minutes.

Manufactured in the UK from a mix of natural and synthetic rubbers.

- Fire tested to BS 476 Part 7 Class 3
- Halogen free in the event of fire
- Low smoke, nontoxic and low fume emission levels
- Tested for non-conductivity to BS903-C5, 500V
- UV stabilised for extended outdoor life
- All dimensions are nominal and subject to manufacturing tolerances



Vulcascot Cable Protectors Limited

12 Norman-D-Gate, Bedford Road,
Northampton. NN1 5NT



Tel: 0800 0352842

Intl: +44 (0)1604 212973

Fax: +44 (0)1604 632344

Email: sales@vulcascot.co.uk

Web: www.vulcascot.co.uk

Vulcascot Cable Protectors

Product Information



PROFILE: Temporary Traffic Calmer TTC/4

Available in 1.5M lengths

Available in Black

TTCs are two products in one, a traffic speed controller and heavy duty cable protector.

Yellow hazard stripes on both sides of the profile are clearly visible, giving early warning to fork lift truck and lorry drivers of the danger of speed in confined areas.

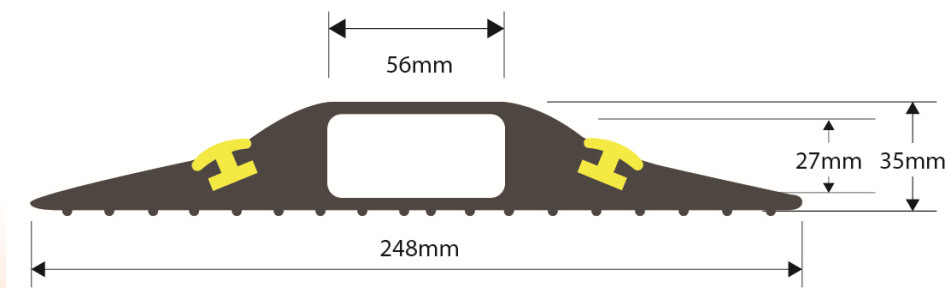
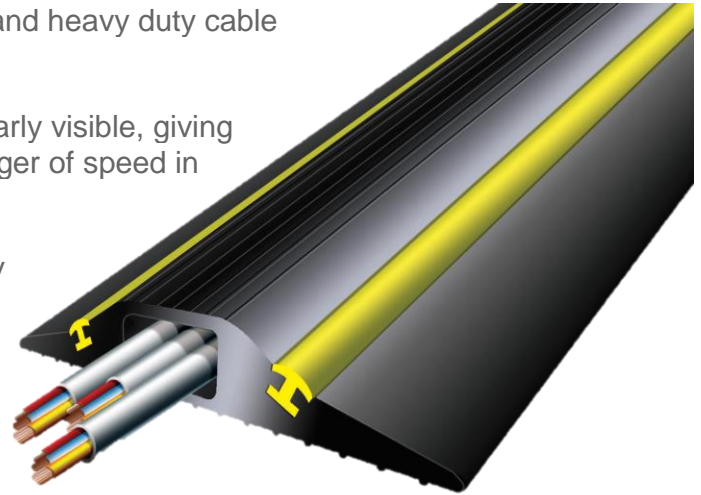
Rugged construction combined with an inherent flexibility means that these strong profiles withstand the passage of most loaded vehicles whilst keeping the cables safe and secure.

These very special products can easily be relaid in another location as required.

Lay flat, no drilling or bolting, ready to use in minutes.

Manufactured in the UK from a mix of natural and synthetic rubbers.

- Fire tested to BS 476 Part 7 Class 3
- Halogen free in the event of fire
- Low smoke, nontoxic and low fume emission levels
- Tested for non-conductivity to BS903-C5, 500V
- UV stabilised for extended outdoor life
- All dimensions are nominal and subject to manufacturing tolerances



Vulcascot Cable Protectors Limited

12 Norman-D-Gate, Bedford Road,
Northampton. NN1 5NT



Tel: 0800 0352842

Intl: +44 (0)1604 212973

Fax: +44 (0)1604 632344

Email: sales@vulcascot.co.uk

Web: www.vulcascot.co.uk