

Vulcascot Cable Protectors

Product Information



PROFILE: SnapFit Type "Standard"

Available in 9M and 3M lengths
Available in Black, Grey or Beige

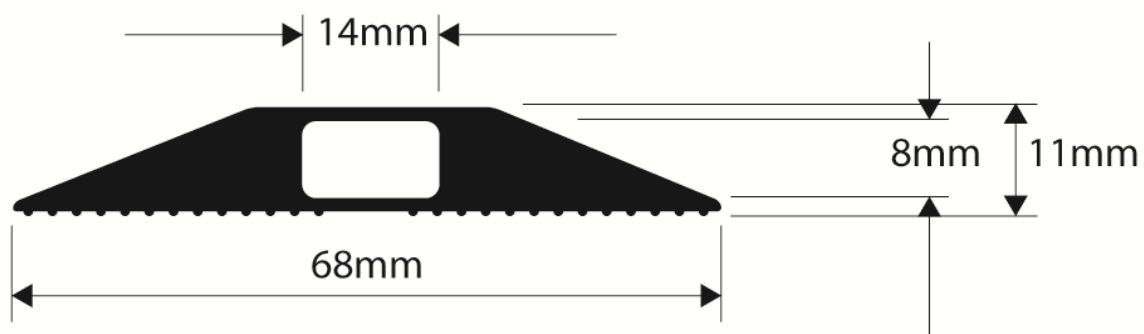
A SnapFit product is perfect for securing any loose, straggling leads or cables in offices, shops or where ever the public is in potential danger of tripping and falling.

"Snap" open the membrane in the base of the profile, push in the cable and lay the protector in place.

Manufactured in the UK from a mix of natural and synthetic rubbers.



- Fire tested to BS 476 Part 7 Class 3
- Halogen free in the event of fire
- Low smoke, non toxic and low fume emission levels
- Tested for non conductivity to BS903-C5, 500V
- UV stabilised for extended outdoor life
- All dimensions are nominal and subject to manufacturing tolerances



Vulcascot Cable Protectors Limited

12 Norman-D-Gate, Bedford Road,
Northampton. NN1 5NT



Tel: 0800 0352842

Intl: +44 (0)1604 212973

Fax: +44 (0)1604 632344

Email: sales@vulcascot.co.uk

Web: www.vulcascot.co.uk

Vulcascot Cable Protectors

Product Information



PROFILE: SnapFit Type "B"

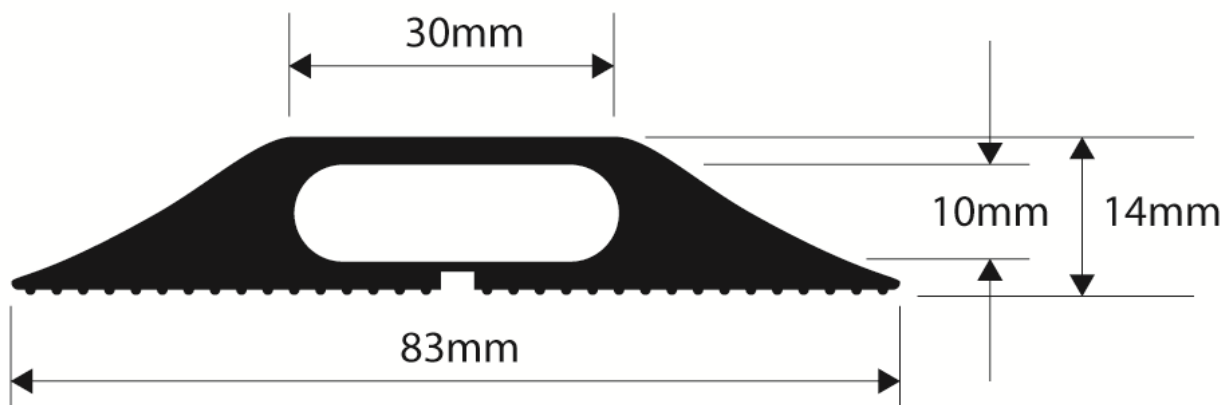
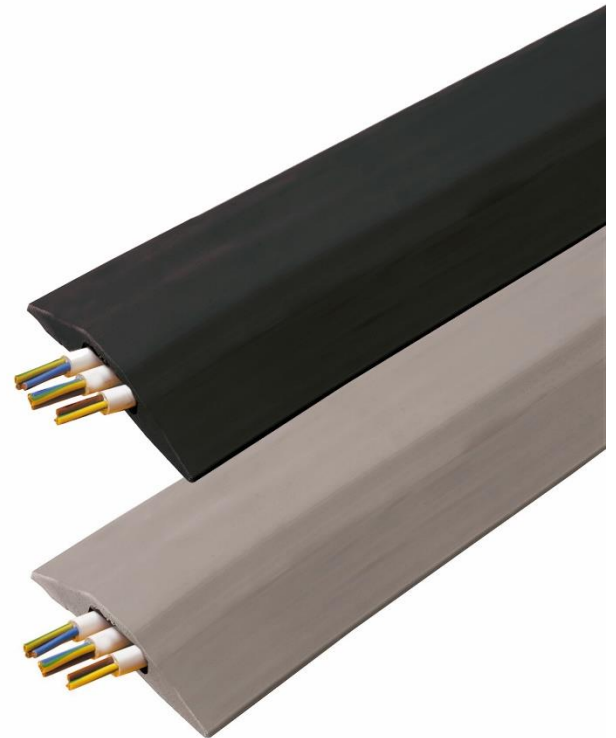
Available in 9M and 3M lengths
Available in Black, Grey or Beige

A SnapFit product is perfect for securing any loose, straggling leads or cables in offices, shops or where ever the public is in potential danger of tripping and falling.

"Snap" open the membrane in the base of the profile, push in the cable and lay the protector in place.

Manufactured in the UK from a mix of natural and synthetic rubbers.

- Fire tested to BS 476 Part 7 Class 3
- Halogen free in the event of fire
- Low smoke, non toxic and low fume emission levels
- Tested for non conductivity to BS903-C5, 500V
- UV stabilised for extended outdoor life
- All dimensions are nominal and subject to manufacturing tolerances



Vulcascot Cable Protectors Limited

12 Norman-D-Gate, Bedford Road,
Northampton. NN1 5NT



Tel: 0800 0352842

Intl: +44 (0)1604 212973

Fax: +44 (0)1604 632344

Email: sales@vulcascot.co.uk

Web: www.vulcascot.co.uk

Vulcascot Cable Protectors

Product Information



PROFILE: SnapFit Type "C"

Available in 9M and 3M lengths

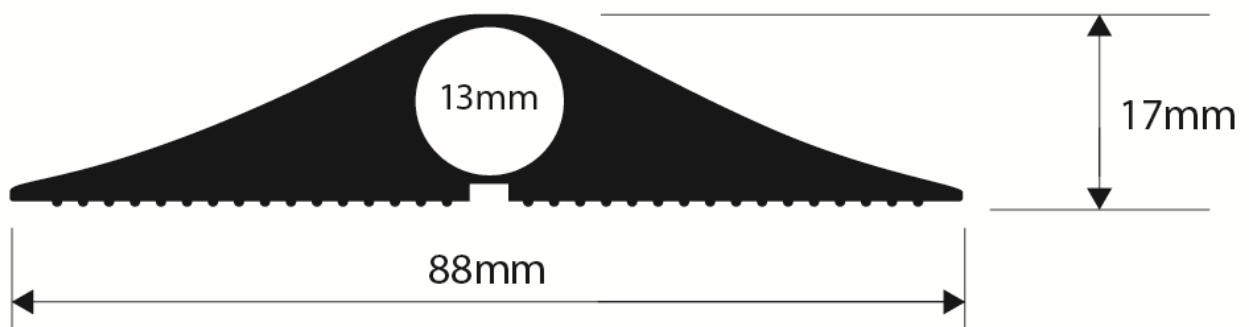
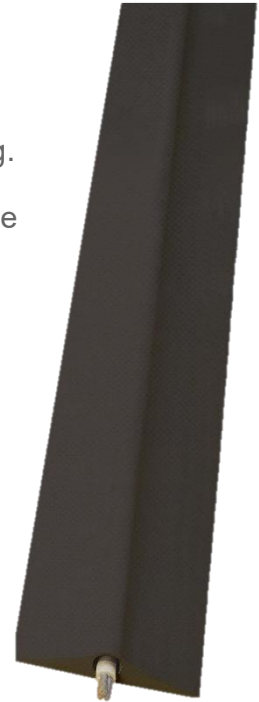
Available in Black or Grey

A SnapFit product is perfect for securing any loose, straggling leads or cables in offices, shops or where ever the public is in potential danger of tripping and falling.

"Snap" open the membrane in the base of the profile, push in the cable and lay the protector in place.

Manufactured in the UK from a mix of natural and synthetic rubbers.

- Fire tested to BS 476 Part 7 Class 3
- Halogen free in the event of fire
- Low smoke, non toxic and low fume emission levels
- Tested for non conductivity to BS903-C5, 500V
- UV stabilised for extended outdoor life
- All dimensions are nominal and subject to manufacturing tolerances



Vulcascot Cable Protectors Limited

12 Norman-D-Gate, Bedford Road,
Northampton. NN1 5NT



Tel: 0800 0352842

Intl: +44 (0)1604 212973

Fax: +44 (0)1604 632344

Email: sales@vulcascot.co.uk

Web: www.vulcascot.co.uk

Vulcascot Cable Protectors

Product Information



PROFILE: SnapFit Type "D"

Available in 9M and 3M lengths

Available in Black or Grey

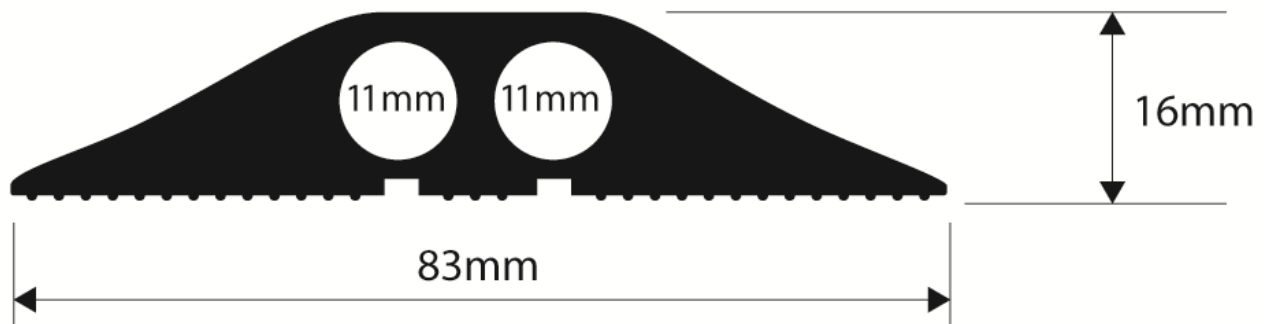
A SnapFit product is perfect for securing any loose, straggling leads or cables in offices, shops or where ever the public is in potential danger of tripping and falling.

"Snap" open the membrane in the base of the profile, push in the cable and lay the protector in place.



Manufactured in the UK from a mix of natural and synthetic rubbers.

- Fire tested to BS 476 Part 7 Class 3
- Halogen free in the event of fire
- Low smoke, non toxic and low fume emission levels
- Tested for non conductivity to BS903-C5, 500V
- UV stabilised for extended outdoor life
- All dimensions are nominal and subject to manufacturing tolerances



Vulcascot Cable Protectors Limited

12 Norman-D-Gate, Bedford Road,
Northampton. NN1 5NT



Tel: 0800 0352842

Intl: +44 (0)1604 212973

Fax: +44 (0)1604 632344

Email: sales@vulcascot.co.uk

Web: www.vulcascot.co.uk

Vulcascot Cable Protectors

Product Information



PROFILE: SnapFit Type "E"

Available in 9M and 3M lengths

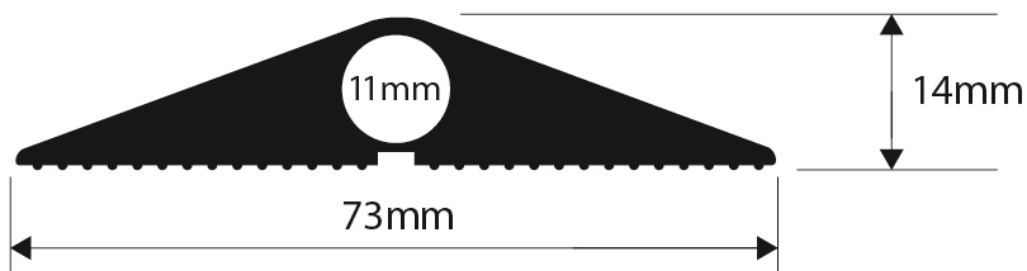
Available in Black or Grey

A SnapFit product is perfect for securing any loose, straggling leads or cables in offices, shops or where ever the public is in potential danger of tripping and falling.

"Snap" open the membrane in the base of the profile, push in the cable and lay the protector in place.

Manufactured in the UK from a mix of natural and synthetic rubbers.

- Fire tested to BS 476 Part 7 Class 3
- Halogen free in the event of fire
- Low smoke, non toxic and low fume emission levels
- Tested for non conductivity to BS903-C5, 500V
- UV stabilised for extended outdoor life
- All dimensions are nominal and subject to manufacturing tolerances



Vulcascot Cable Protectors Limited

12 Norman-D-Gate, Bedford Road,
Northampton. NN1 5NT



Tel: 0800 0352842

Intl: +44 (0)1604 212973

Fax: +44 (0)1604 632344

Email: sales@vulcascot.co.uk

Web: www.vulcascot.co.uk

Vulcascot Cable Protectors

Product Information



PROFILE: SnapFit Type "N"

Available in 9M and 3M lengths

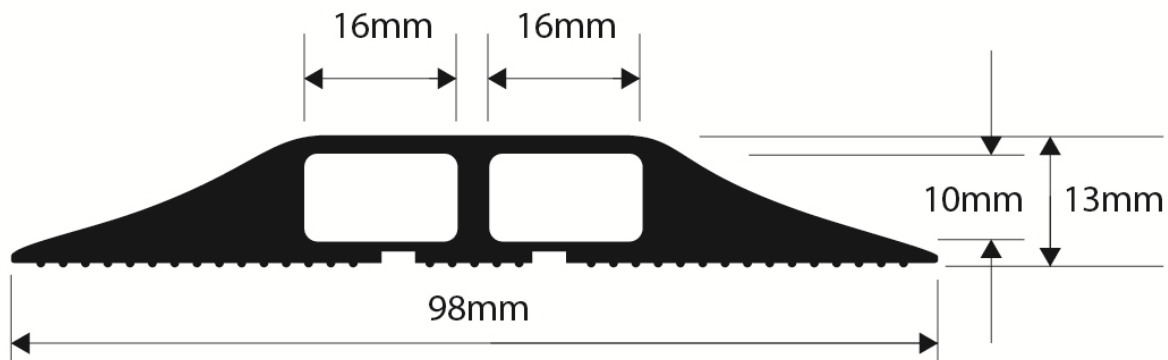
Available in Black or Grey

A SnapFit product is perfect for securing any loose, straggling leads or cables in offices, shops or where ever the public is in potential danger of tripping and falling.

"Snap" open the membrane in the base of the profile, push in the cable and lay the protector in place.

Manufactured in the UK from a mix of natural and synthetic rubbers.

- Fire tested to BS 476 Part 7 Class 3
- Halogen free in the event of fire
- Low smoke, non toxic and low fume emission levels
- Tested for non conductivity to BS903-C5, 500V
- UV stabilised for extended outdoor life
- All dimensions are nominal and subject to manufacturing tolerances



Vulcascot Cable Protectors Limited

12 Norman-D-Gate, Bedford Road,
Northampton. NN1 5NT



Tel: 0800 0352842

Intl: +44 (0)1604 212973

Fax: +44 (0)1604 632344

Email: sales@vulcascot.co.uk

Web: www.vulcascot.co.uk